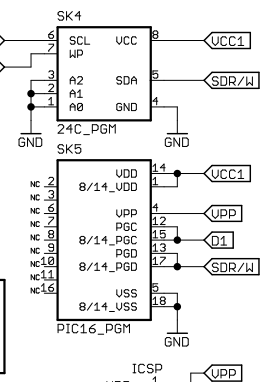
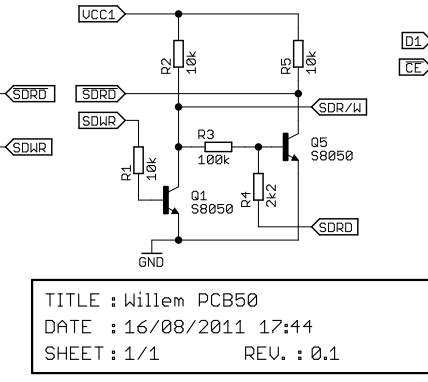
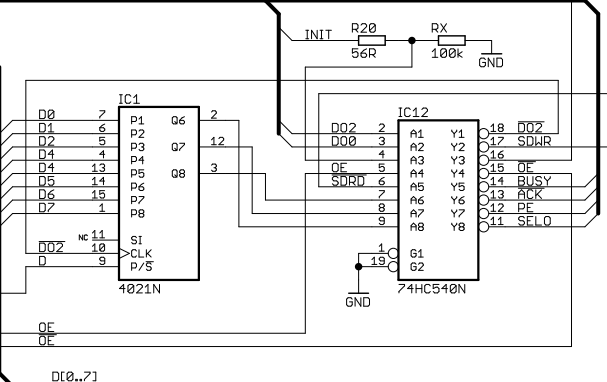
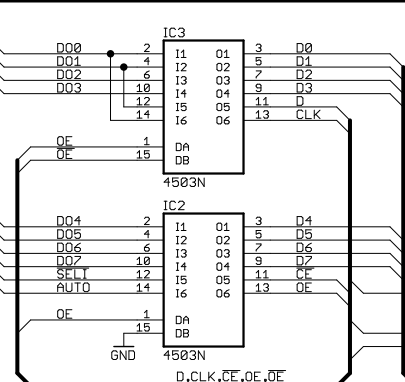
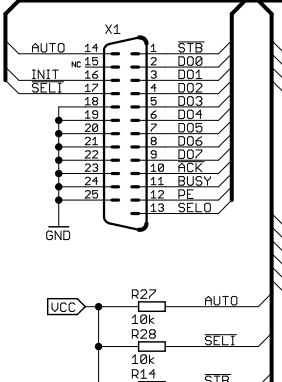


DO[0..7],STB,AUTO,INIT,SELT,ACK,BUSY,PE,SELO



TITLE : Willem PCB50
DATE : 16/08/2011 17:44
SHEET : 1/1 REV. : 0.1

